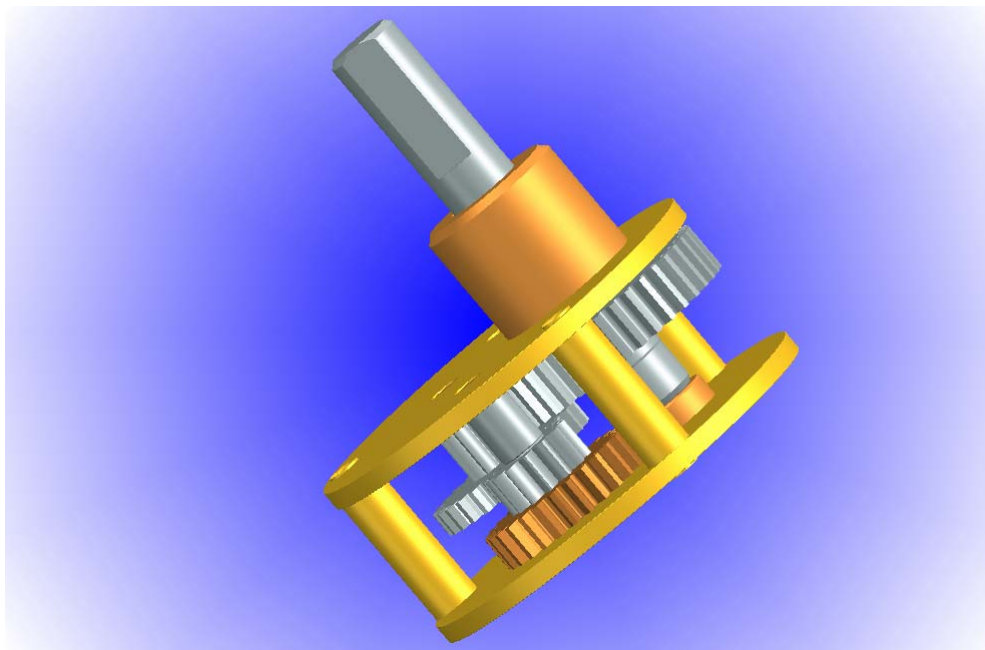
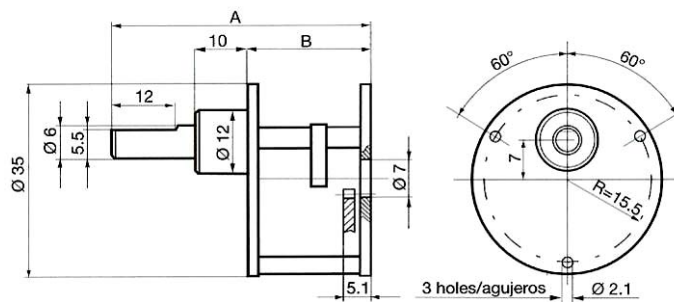


VORPE SA

GEARBOX 4230 RATIO 24



Specifications	
order n°	4230.24
ratio	24 : 1
maximum continuous torque	0.2 Nm
maximum axial load	30 N
angular backlash	1°
dimensions	A = 40 mm B = 15 mm
sense of rotation	≠
variant	available with heat treated shafts



Dimensions in mm /Medida en mm